

## Customer Application Infrastructure

The following describes the CAI plug-ins delivered with (E)JES. Your installation might provide additional CAI plug-ins:

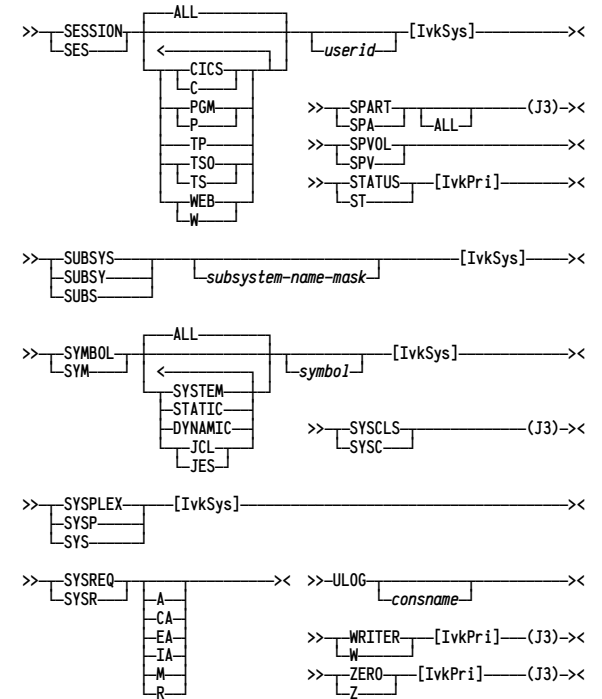
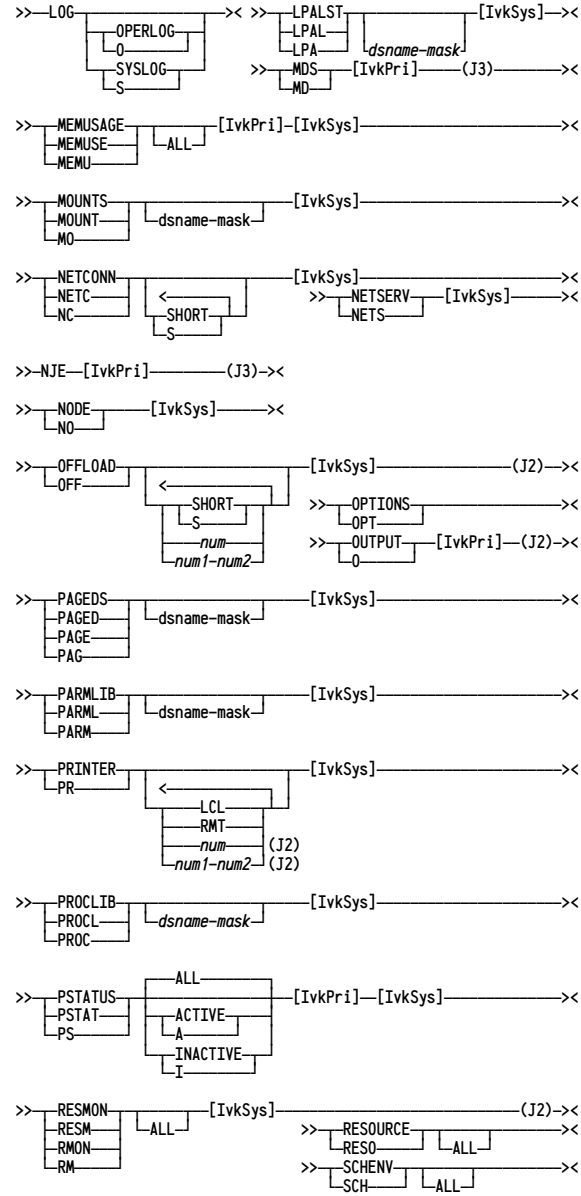
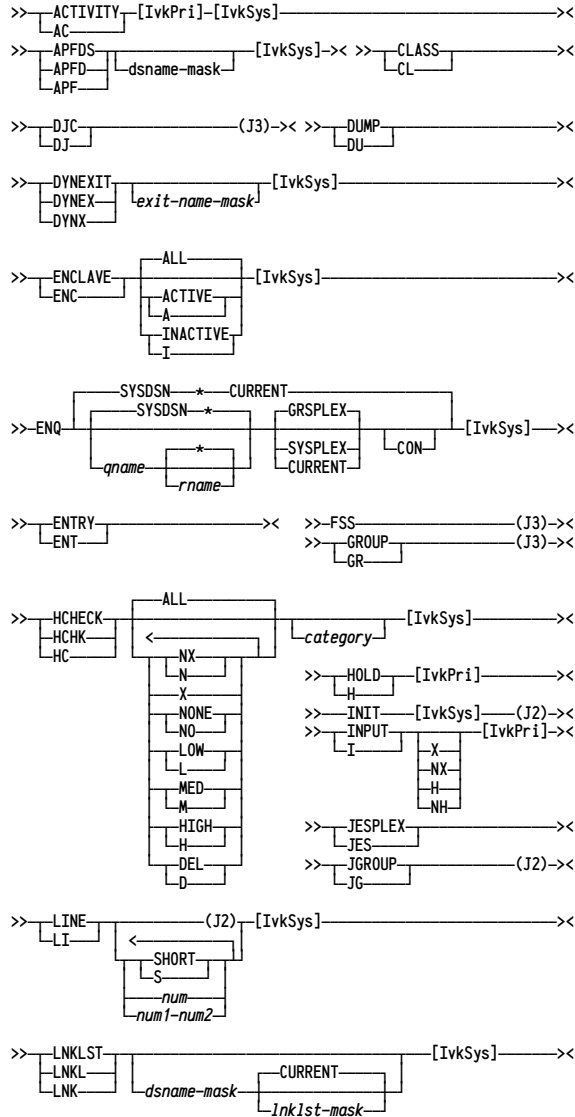
Line Cmd	Description
.	Display all available CAI plug-in applications
.F	TCP/IP FTP PUT a Report Object
.M	TCP/IP SMTP (e-mail) a Report Object
.X	TSO XMIT a Report Object
.R	TSO Receive a Spool Data Set
.S	Resubmit Job Without Editing

© Copyright 1990-2021 by Phoenix Software International. (E)JES is a registered trademark of Phoenix Software International, Inc. This information is intended for use by (E)JES customers only. Other usages are prohibited. Reproduction for internal use only is permitted, provided that copies are made without modification and with all proprietary notices preserved.

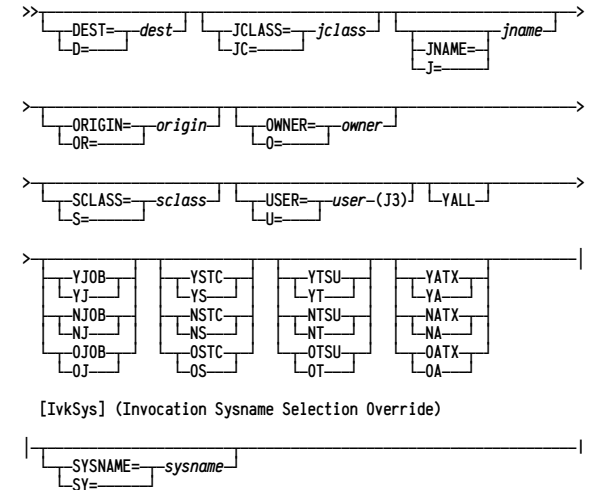
## (E)JES V6R1.0 Command Syntax Reference Summary

(J2) = JES2-specific command (J3) = JES3-specific command

### Navigation Commands



[IvkPri] (Invocation Primary Selection Overrides)



[IvkSys] (Invocation Sysname Selection Override)

